

AIRCON ENERGY SAVER

Installation Instructions

1. Disconnect power to AC unit
2. Mount the Aircon Energy Saver at the terminal unit and install the sensor in the supply air stream. Position sensor either at the grill of a cassette unit or if in a ducted system allow about 450mm from the evaporator coil. The duct can be drilled with an 8mm hole for the sensor. (Fig 1.) The sensor cable can be extended if required.
3. Connect wiring as shown in fig 2.
 - a. Connect green to ground
 - b. Connect red to power side of 24vac transformer
 - c. Connect brown to common side of 24vac transformer
 - d. Break compressor contactor control wire. Connect yellow 1 to one side and yellow 2 to other side.
4. Reconnect power to AC unit.

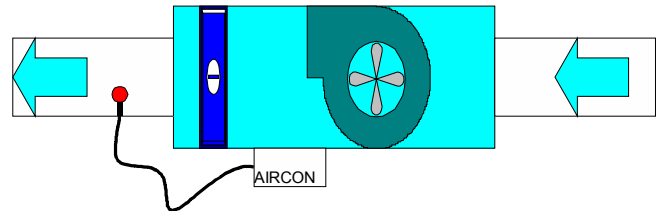


Fig1.

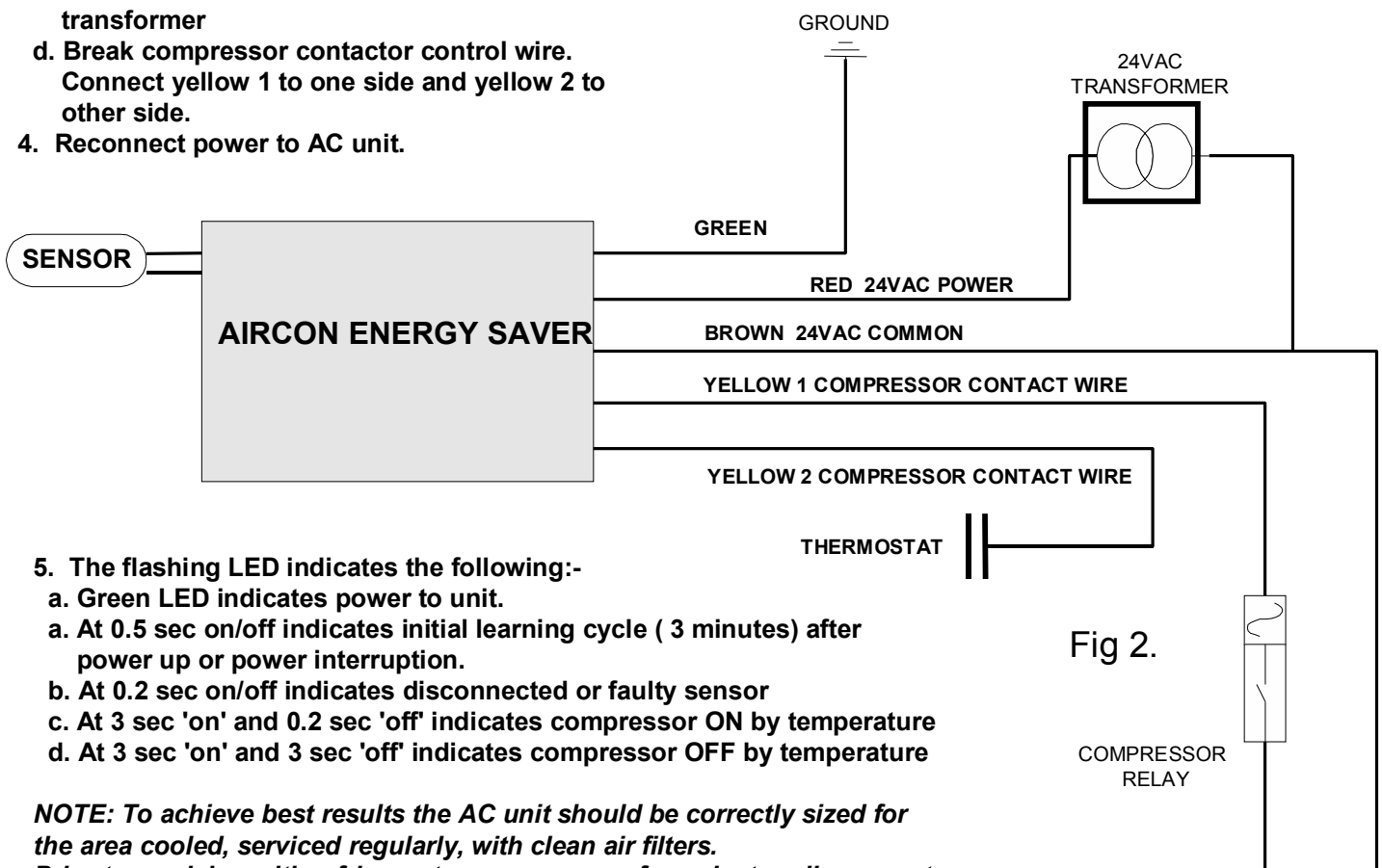


Fig 2.

5. The flashing LED indicates the following:-
 - a. Green LED indicates power to unit.
 - a. At 0.5 sec on/off indicates initial learning cycle (3 minutes) after power up or power interruption.
 - b. At 0.2 sec on/off indicates disconnected or faulty sensor
 - c. At 3 sec 'on' and 0.2 sec 'off' indicates compressor ON by temperature
 - d. At 3 sec 'on' and 3 sec 'off' indicates compressor OFF by temperature

NOTE: To achieve best results the AC unit should be correctly sized for the area cooled, serviced regularly, with clean air filters.
Prior to servicing with refrigerant remove sensor from duct or disconnect from unit

TECHNICAL SPECIFICATION

OPERATING CONDITIONS

Temperature 32degF 0 degC
Relative Humidity min 15% max 90%
Condensation free

OPERATION PARAMETERS

Power Supply Nominal 24vac
Min 20vac
Max 30vac
Power consumption max 90mA
Temperature sensor Max 158degF 79degC
Sensor Range 14degF to 131degF
10degC to 55degC

CONTROL DIMENSIONS

127mm Long 39mm Wide 32mm High

CONTROL RELAY

Contactor function Normally Closed
Relay voltage 24vac to 240vac
Current max 10a / AC