

INSTALLATION MANUAL

INSTALLATION MANUAL



This is the typical package of tools required to install the Aircon Energy Saver. Not shown is the additional wiring, make sure the wiring applies with local rules and regulations (diameter and colors may vary by country)

!! Before you start, make sure power is switched off at all times !!

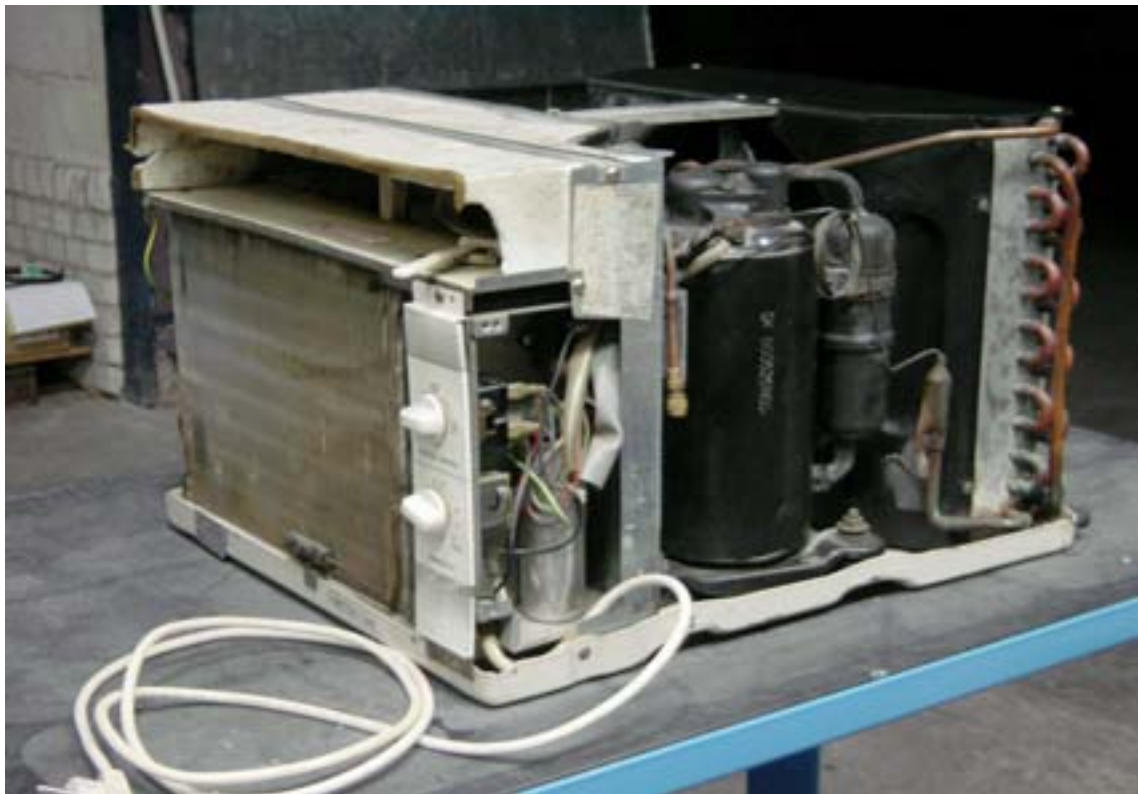
INSTALLATION MANUAL



A standard window unit, cover in place (backside)



A standard window unit, cover in place, front cover removed (front side)



Make sure all power is disconnected from the AC unit and that the installed capacitors are discharged to prevent an electrical shock.

INSTALLATION MANUAL



Locate a place to mount the Energy Saver and the accessories, make sure the place is accessible for future service and contains no components who radiate high temperature or anything what will disturb the performance of the Aircon Energy Saver.

INSTALLATION MANUAL



Mark the place where to mount the controller, make sure there's enough room for the accessories.(accessories depending on the brand of AC unit).

Be sure not to install the Energy Saver in front of ventilation opening's or places where damage can be done either to the AC unit or the Energy Saver controller.

INSTALLATION MANUAL



Mounting the control is as simple as drilling two holes for the mounting screws! Prior to mounting the Aircon Energy Saver make sure to connect the sensor wiring to the appropriate terminals.



INSTALLATION MANUAL



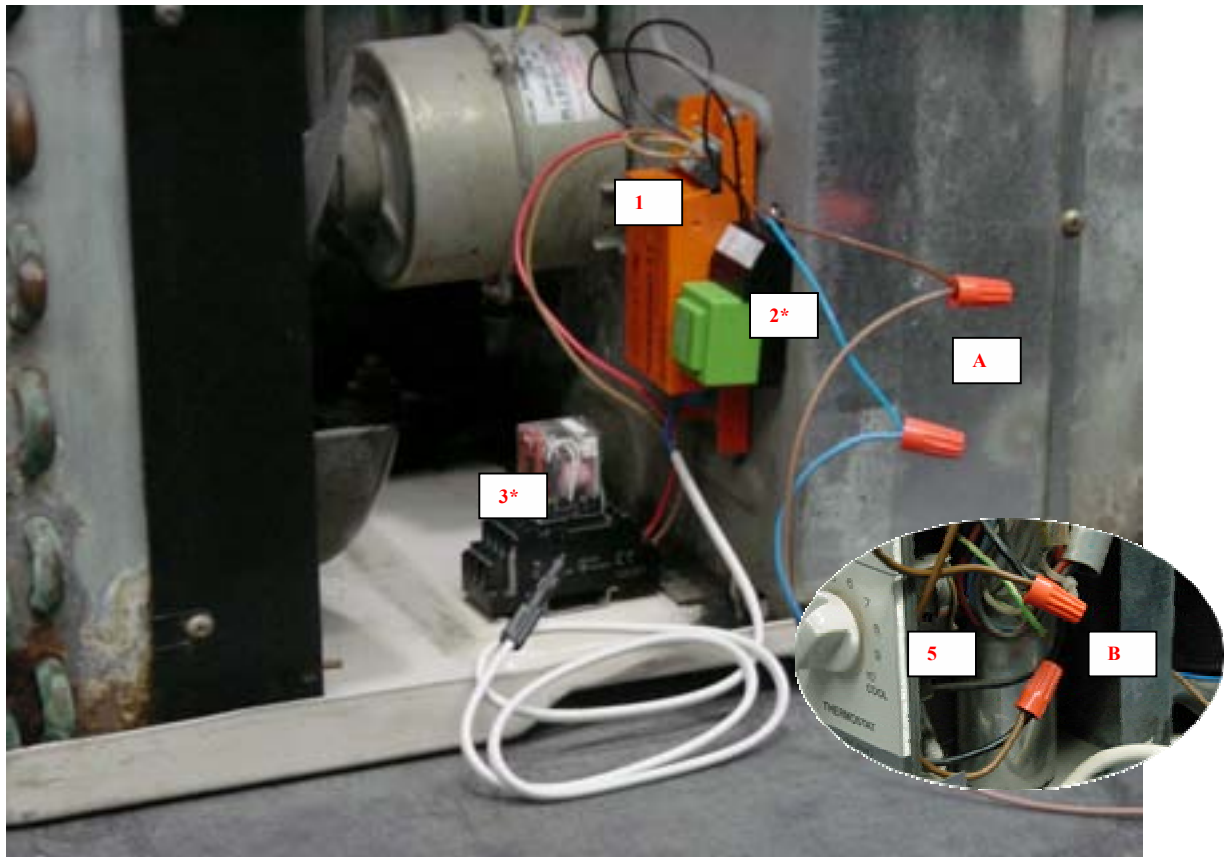
Marking the location of the transformer

INSTALLATION MANUAL

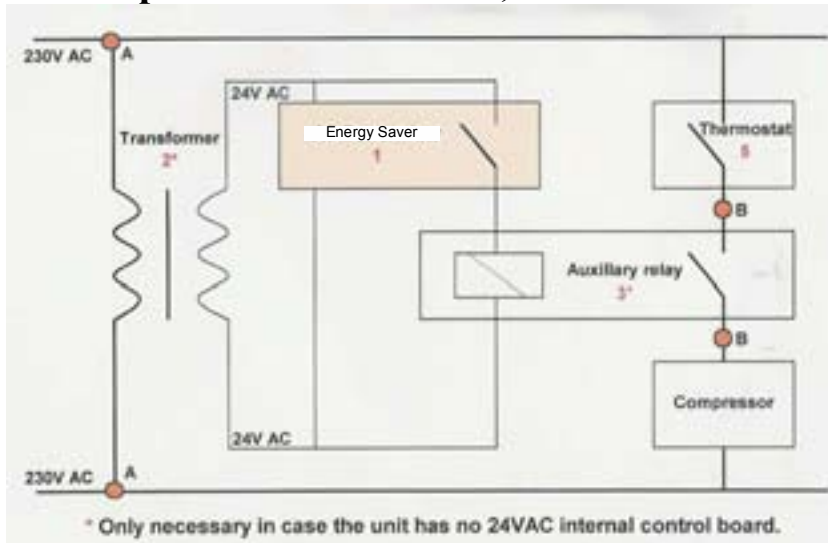


Mounting the auxiliary relay and wiring, using a standard relay, make sure the maximum drawn current is within the specs of the relay

INSTALLATION MANUAL



All components are mounted, all it take's is a little bit of time.



INSTALLATION MANUAL



The sensor is placed in the supply air duct, when possible remove any cover to ensure the right position of the sensor.

INSTALLATION MANUAL



The closed cover with sensor.

INSTALLATION MANUAL



Locating the thermostat wiring to wire in the Aircon. Cut the wire between the thermostat and the compressor. Connect the Energy Saver in serial to the thermostat. When the thermostat reaches it's set point, the AC unit is switched off, the thermostat is still in control. Securely tighten the wire nuts to ensure a tight connection.

INSTALLATION MANUAL



Connect the mains to the primary side of the transformer and secure the connections, make sure there is no danger of short-circuiting the mains

INSTALLATION MANUAL



When all connections have been made, close up the unit and you're finished installing the Aircos Energy Saver.

Ready to save Energy.

24/7